

4

3

2

1

THIS DRAWING IS UNPUBLISHED.

RELEASED FOR PUBLICATION

- . - .

LOC

DIST

REVISIONS

© COPYRIGHT - BY TYCO ELECTRONICS CORPORATION. ALL RIGHTS RESERVED.

FT

0

P

LTR

DESCRIPTION

DATE

DWN

APVD

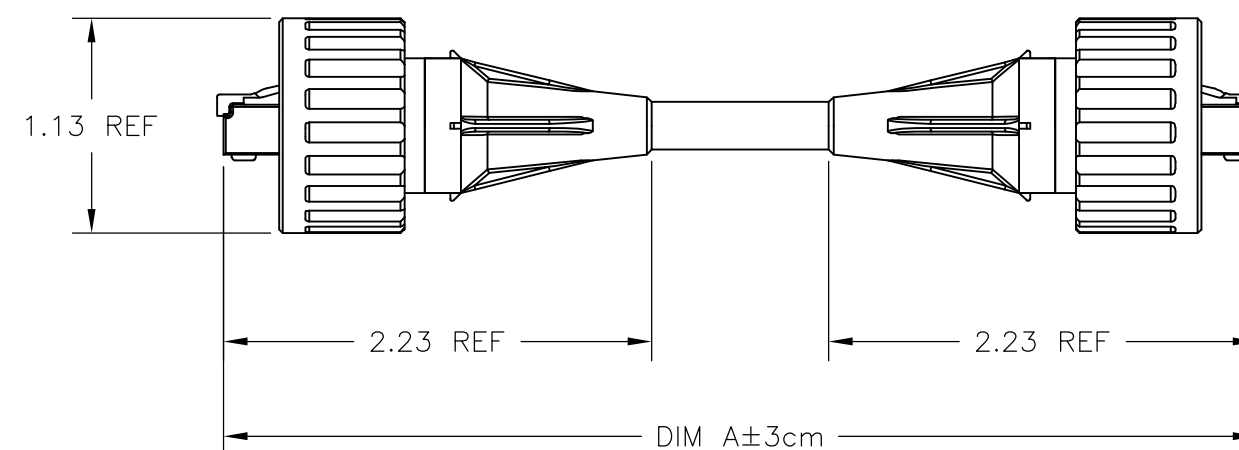
G1

REVISED PER ECO-07-024673

10/19/07

SS

GS



PRELIMINARY	10 METERS +39.69cm -0	1-1546452-6
	31 METERS +62.23cm -0	1-1546452-5
	16 METERS +62.23cm -0	1-1546452-4
	8 METERS +31.75cm -0	1-1546452-3
	5 METERS +16.51cm -0	1-1546452-2
	2 METERS +8.89cm -0	1-1546452-1

SUPERSEDED	31 METERS	1546452-5
SUPERSEDED	16 METERS	1546452-4
SUPERSEDED	8 METERS	1546452-3
SUPERSEDED	5 METERS	1546452-2
SUPERSEDED	2 METERS	1546452-1

DIM A

PART NO.

THIS DRAWING IS A CONTROLLED DOCUMENT.

DWN S SCHLEGEL 12NOV02

CHK H WAKEEM 11/12/02

APVD H WAKEEM 11/12/02

PRODUCT SPEC

APPLICATION SPEC

WEIGHT -

CUSTOMER DRAWING

Tyco Electronics Corporation
Harrisburg, Pa 17105-3608

NAME

INDUSTRIAL ETHERNET CORDSET,
PROPLEX CABLE, DOUBLE ENDED INDUSTRIAL

SIZE

CAGE CODE

DRAWING NO

RESTRICTED TO

A3

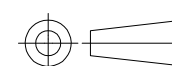
00779

C-1546452

SCALE NTS

SHEET 1 OF 1

REV G1

DIMENSIONS:
INCHESTOLERANCES UNLESS
OTHERWISE SPECIFIED:

0 PLC	± -
1 PLC	± -
2 PLC	± .02
3 PLC	± .005
4 PLC	± -
ANGLES	± 2'

MATERIAL

FINISH